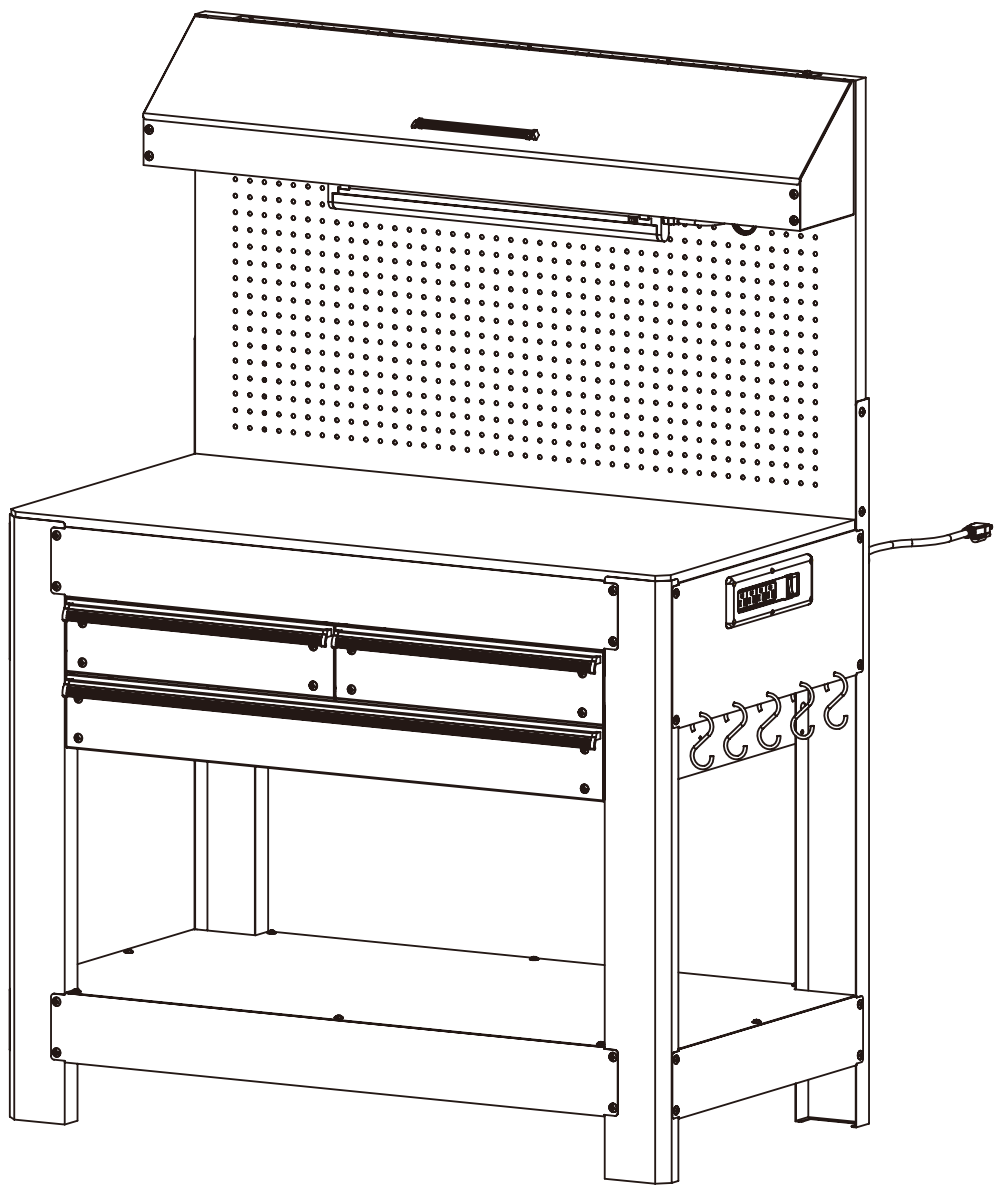




3 Drawer Workbench
ITEM #20734370



CONTENTS

Safety	3
Package Contents	4
Precautions	5
Assembly Instructions	6-14
Care And Maintenance	14

 **Safety**

Please read and understand this entire manual before attempting to assemble, operate or install the product.

 **DANGER**



ELECTRICAL SHOCK HAZARD. Do not plug the cord into an outlet with wet hands. Do not use this tool chest near a bathtub, shower or swimming pool. Follow this manual for recommended usage.

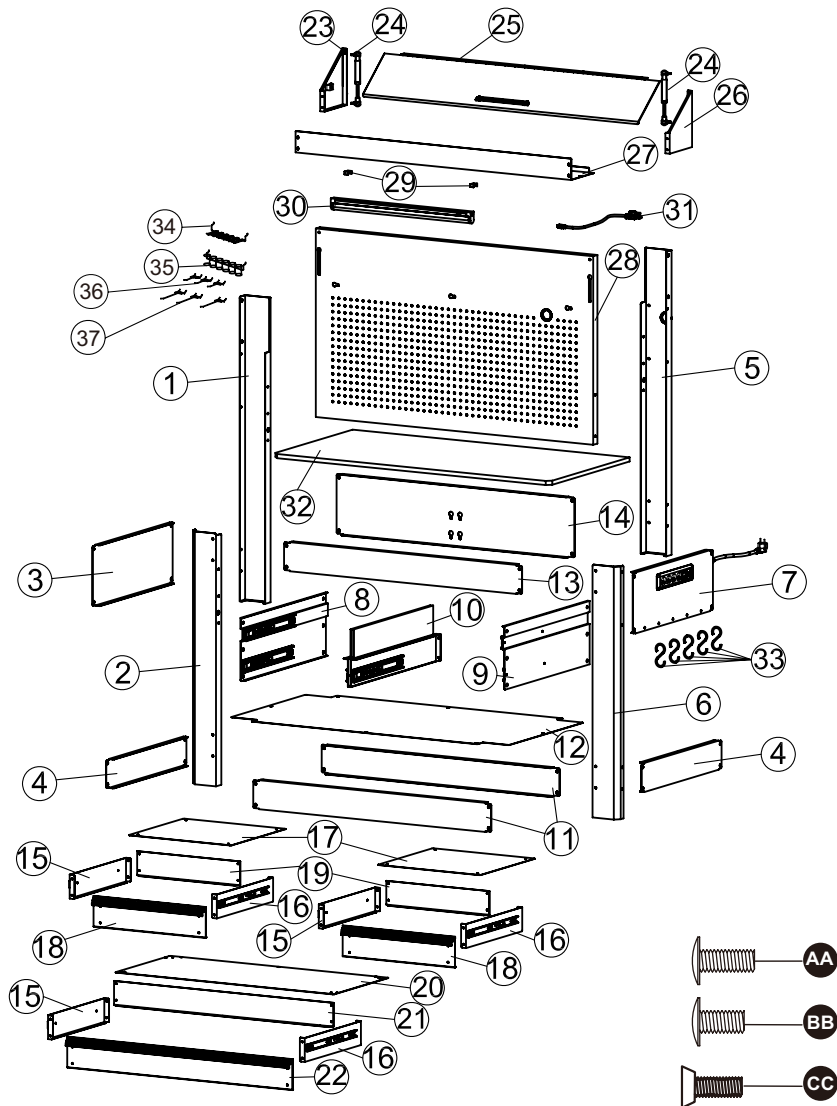
WARNING

- KEEP CHILDREN AWAY from item at all times.
- DO NOT stand on this product. You may fall which could cause personal injury and product damage.
- BE CAREFUL when opening more than one drawer.

CAUTION

- DO NOT mount this product on a truck bed or any other moving object.
- DO NOT alter this product in any manner.
- The maximum weight for each drawer should NOT exceed 100 pounds.

PACKAGE CONTENTS

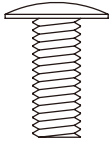


No.	Description	Quantity
1	Rear leg (left)	1
2	Front leg (left)	1
3	Side panel (left)	1
4	Side frames (left & right)	2
5	Rear leg (right)	1
6	Front leg (right)	1
7	Side panel (right)	1
8	Drawer slide panel (left)	1
9	Drawer slide panel (right)	1
10	Slide support (intermediate)	2
11	Bottom frame (front & rear)	2
12	Base panel	1
13	Upper panel	1
14	Back panel	1
15	Drawer side panel (left)	3
16	Drawer side panel (right)	3
17	Drawer bottom panel (small)	2
18	Drawer front (small)	2
19	Drawer back (small)	2
20	Drawer bottom panel (large)	1
21	Drawer back (large)	1

No.	Description	Quantity
22	Drawer front (large)	1
23	Storage cage side panel (left)	1
24	Hinge (left)	1
24	Hinge (right)	1
25	Storage cage lid	1
26	Storage cage side panel (right)	1
27	Storage cage bottom panel	1
28	Pegboard	1
29	Light support bracket	1
30	Light	1
31	Light power cord	1
32	Wooden table top	1
33	Hanging hook	5
34	Hook for screwdriver	3
35	Short hook	4
36	Hook for pliers	1
37	Long hook	1
AA	M6x10 mm Screws	50
BB	M6x8 mm Screws	74
CC	M4x8 mm Screws	2

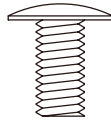
PRECAUTIONS

AA



M6x10 mm
Screws
Qty.74

BB



M4x6 mm
Screws
Qty.50

CC



M4x8 mm
Screws
Qty.2

PREPARATION

Before you begin the assembly of this product, ensure that all parts are present. Compare all parts with the package contents list and hardware contents list above. If any part is missing or damaged, do not attempt to assemble the product.

Estimated Assembly Time: 90 minutes

Tools Required for Assembly (not included): Phillips Screwdriver

ASSEMBLY INSTRUCTIONS

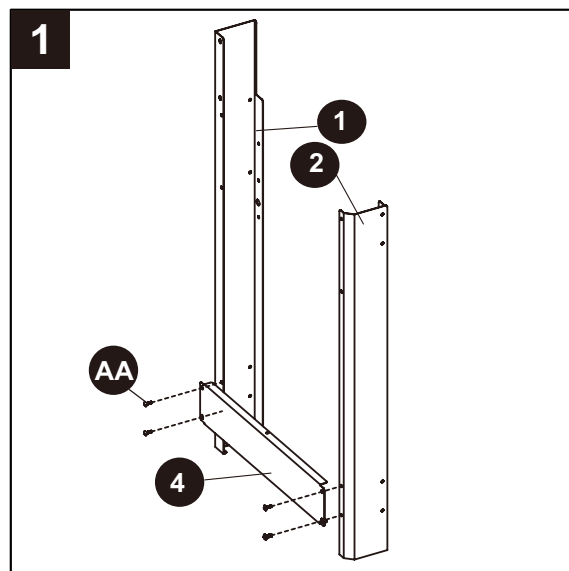
Note: Do not overtighten or you may damage it possibly the screws.

Step 1

Use 4 screws M6x10 mm to as shown the front left (2L) and the rear left (1L) leg to the floor frame (4L) fixed to make. Make sure that the Edge of the base frame pointing upwards.

Hardware Used

AA M6x10 mm   x4

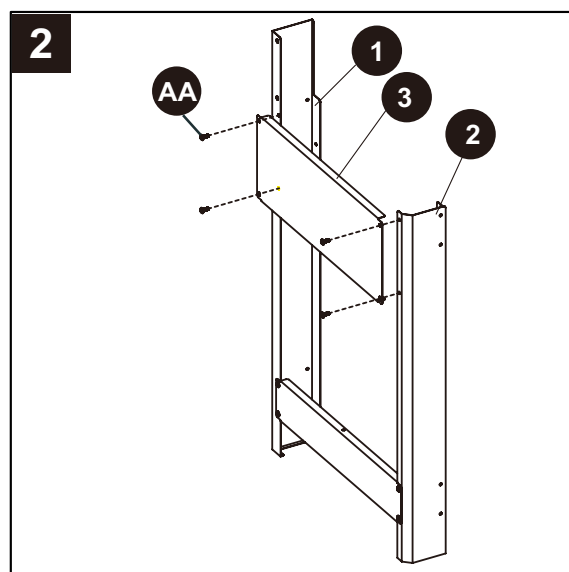


Step 2

Attach the left side plate (3) with 4 M6x10 mm screws. Make sure that the holes of the bent edge are up.

Hardware Used

AA M6x10 mm   x4

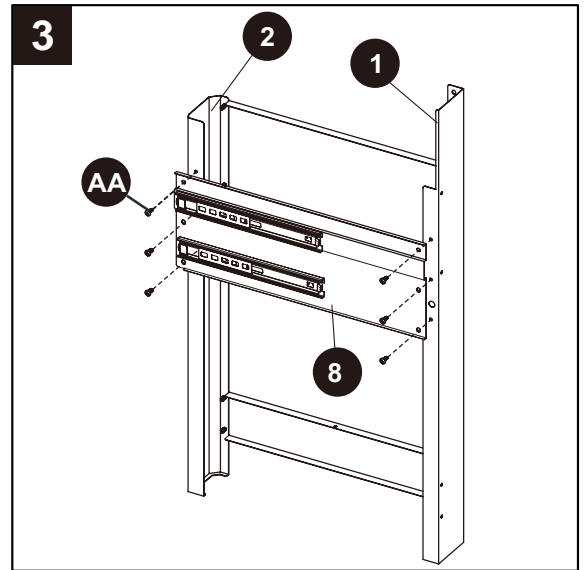


ASSEMBLY INSTRUCTIONS

Step 3

Align the left drawer slide panel (8L) with the predrilled holes, ensuring the slides are toward the front of the unit. Attach using screws (AA).

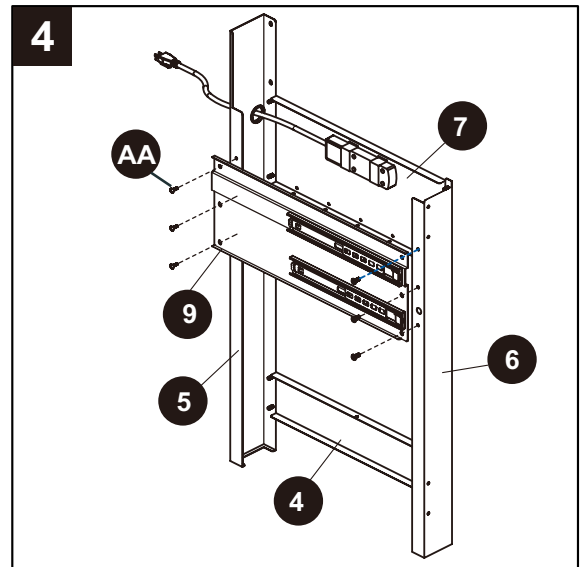
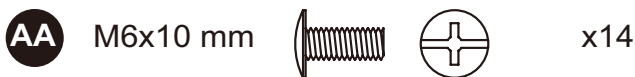
Hardware Used



Step 4

Repeat steps 1-3 on the right side with the parts 4,5,6,7 and 9. Then you run the power cable (27) of the connector (36) through the predrilled hole in the right rear leg (5R).

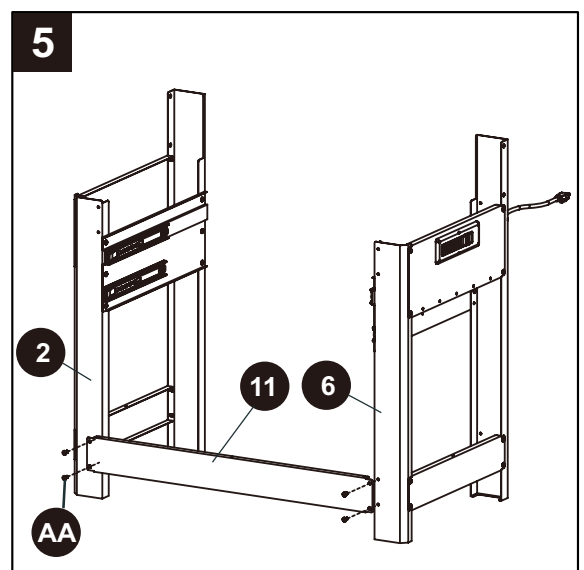
Hardware Used



Step 5

Screw the parts (11) with the left and right by 8 M6x10 mm screws use and make sure that the edges with show the hole to the top

Hardware Used




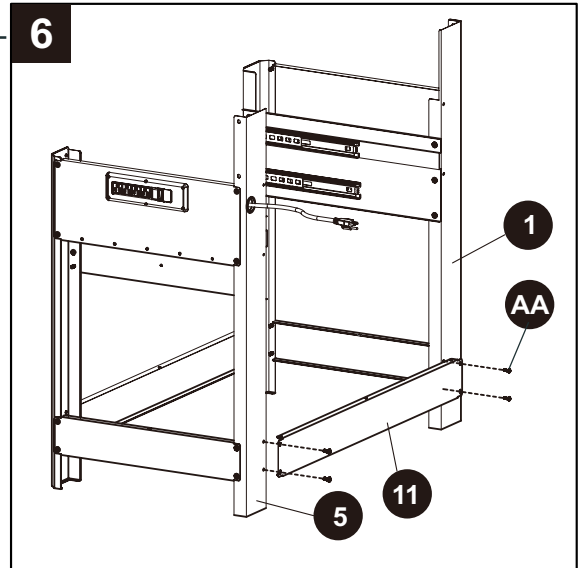
ASSEMBLY INSTRUCTIONS

Step 6

Attach a bottom frame (11) to the front of the left and right rear legs (1L and 5R) using screws (AA). Ensure the holes on the bottom frame (11) are facing up.

Hardware Used

AA M6x10 mm   x4

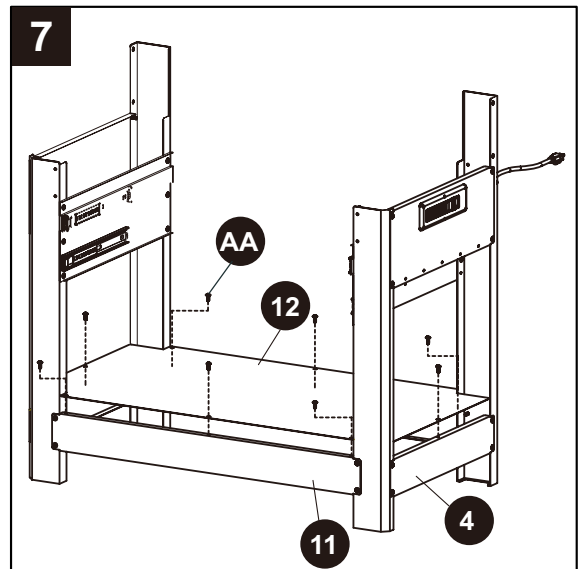


Step 7

Place the base plate (12) onto the bottom frame and secure it with M6x10 mm screws (12 fixed).

Hardware Used

AA M6x10 mm   x12

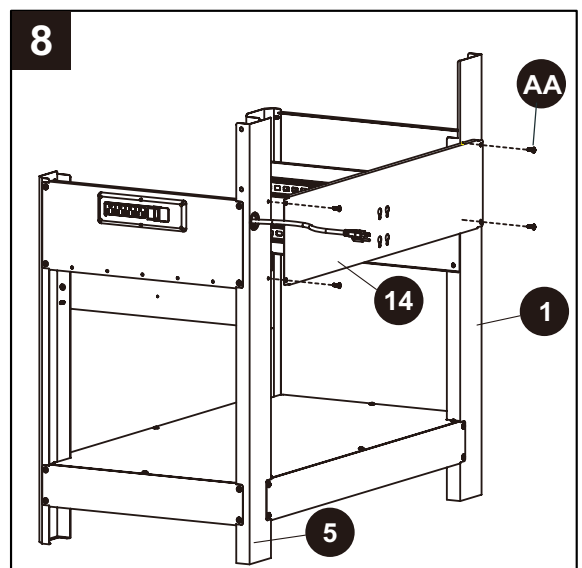


Step 8

Attach the rear side portion (14) with 4 M6x10 mm screws.

Hardware Used

AA M6x10 mm   x4



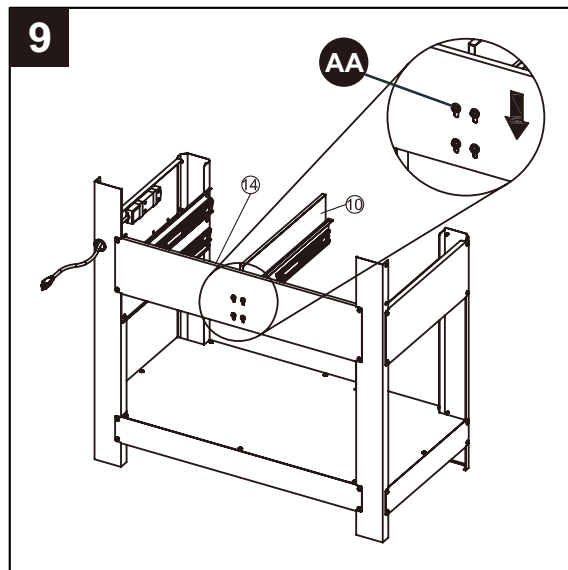
ASSEMBLY INSTRUCTIONS

Setp 9

Insert four M6x10 mm screws into the foreseen holes of the rear side member (14) and push it down. These screws attach the now middle drawer (10).

Hardware Used

AA M6x10 mm   x4

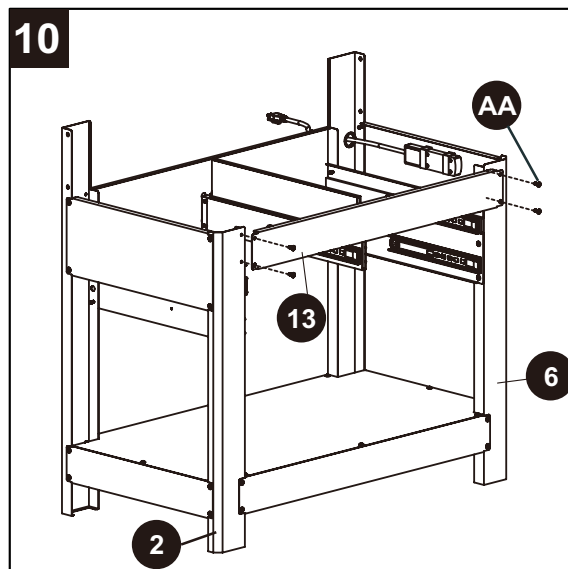


Setp 10

Attach the front side member (13) with 4 M6x10 mm screws. If more than two M6x10 mm Screws to the middle drawer member (10) to the to attach the front side part.

Hardware Used

AA M6x10 mm   x4

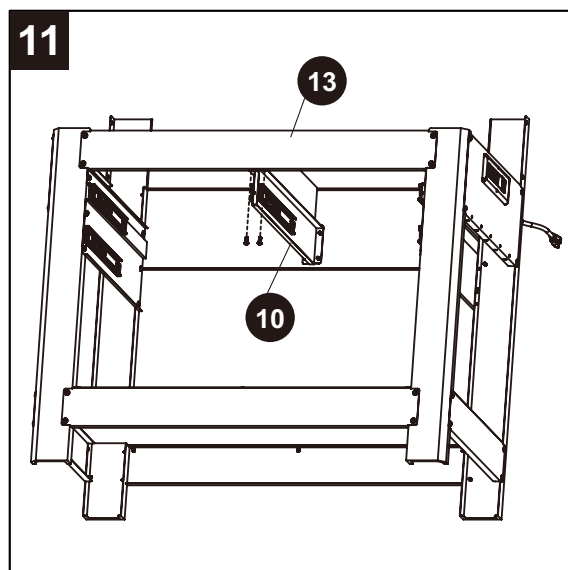


Setp 11

Secure the intermediate slide support(10) to the upper panel(13) by insertig screws(AA) through the slide support(10) and into the upper panel(13).

Hardware Used

AA M6x10 mm   x2

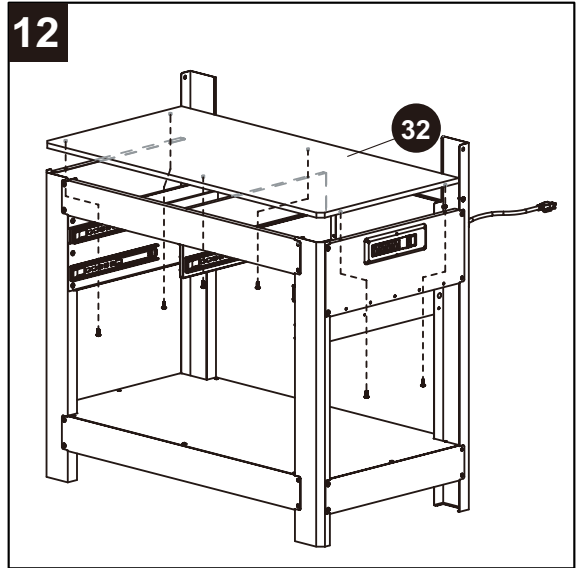


ASSEMBLY INSTRUCTIONS

Step 12

Insert the bamboo plate (32) on the worktop and securing it with 6 M6x10 mm screws.

Hardware Used

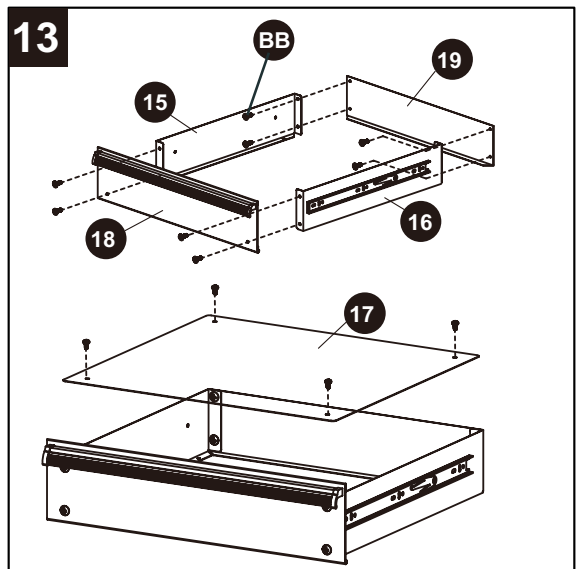


Step 13

Assembly of small drawers: First screw the drawer front part (18) with the two drawers side parts (15) (16) by means of 4 M4x6 mm screws. Then fasten the posterior drawer base with 4 M4x6 mm screws.

Attach the base plate with 4 M4x6 mm Screws. Repeat this process to the other drawer assemble.

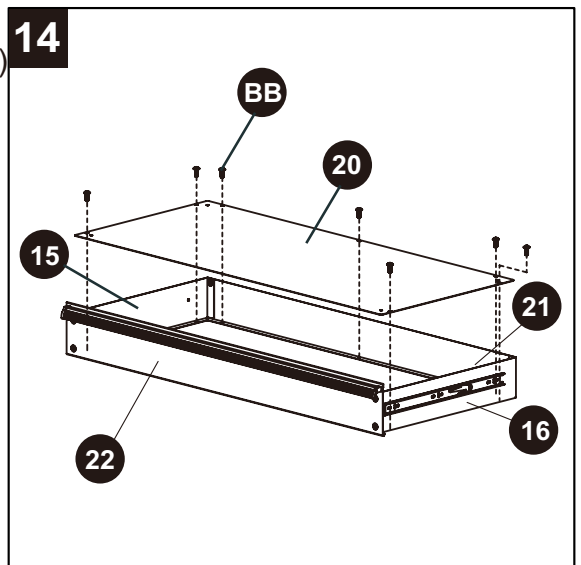
Hardware Used



Step 14

Assembly of large drawers: the drawer side parts (15) (16) with the front A drawer member (22) 4x6 mm screws and 4 then attach the drawer rear wall (21) with 4 other M4x6 mm screws on. Attach the tray bottom plate (20) having 7 mm M4x6 Screws.

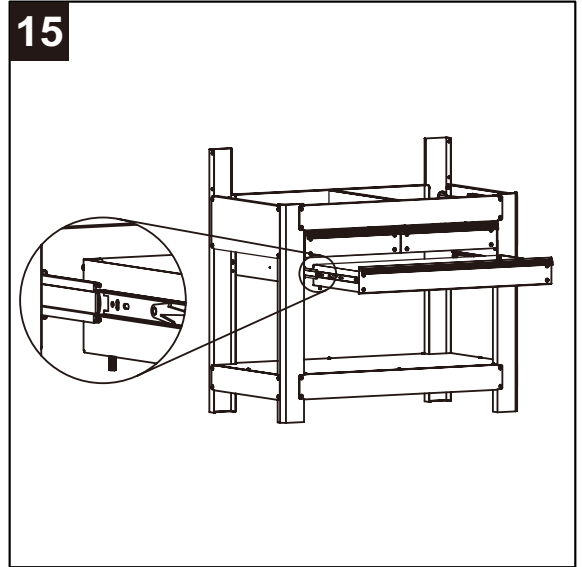
Hardware Used



ASSEMBLY INSTRUCTIONS

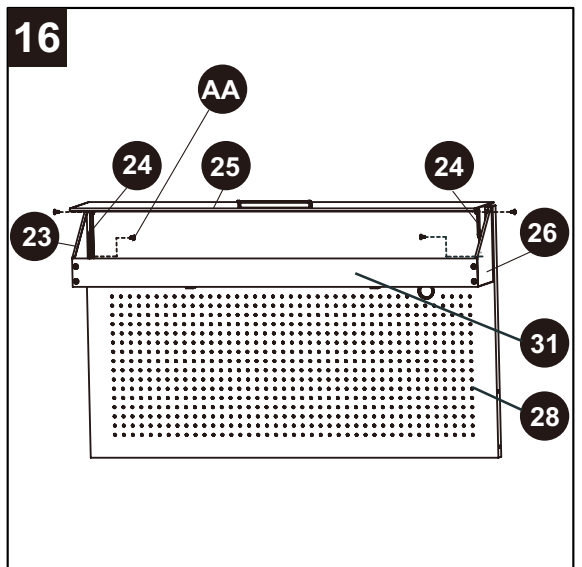
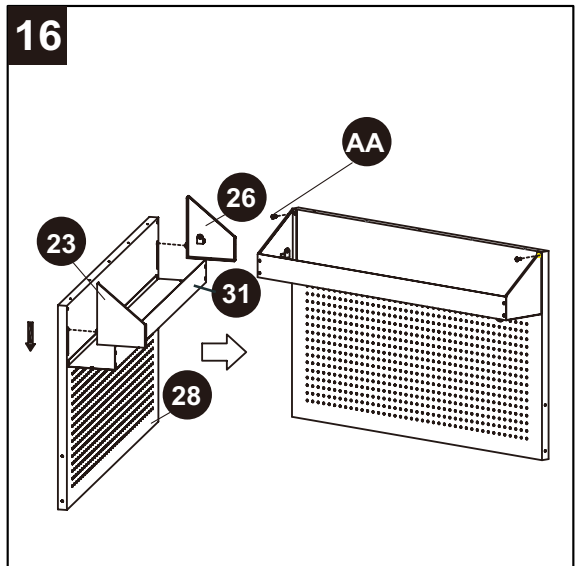
Step 15

Pull the rails for the drawers all the way out, place the drawers and slide it slowly back again.



Step 16

Insert the bottom portion of the storage compartment (31) above the holes and press down until it clicks into place. Then they put the left side panel of the Storage compartment and press it well down to it clicks into place and take it with M6x10 mm screw can attach. Attach the side panel (23) with three M4x6 screws and repeat the process on the other side. Now screw the gas cylinder left and right (24R and 24L) attached to the screws.



Hardware Used

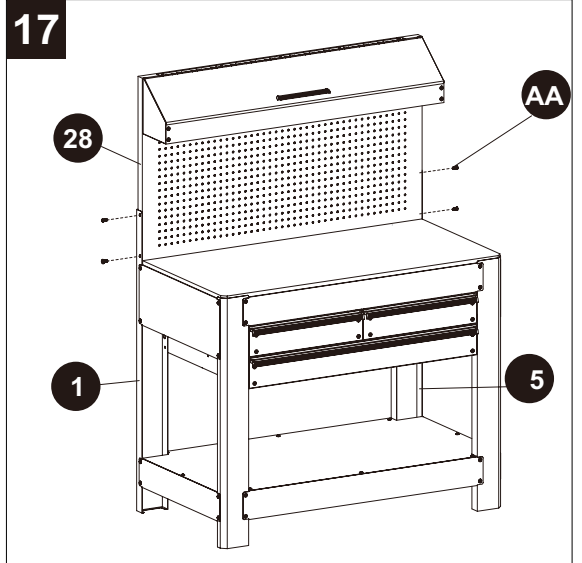
AA M6x10 mm   x6

ASSEMBLY INSTRUCTIONS

Step 17

Attach the back wall (28) with 4 M6x10 mm screws.

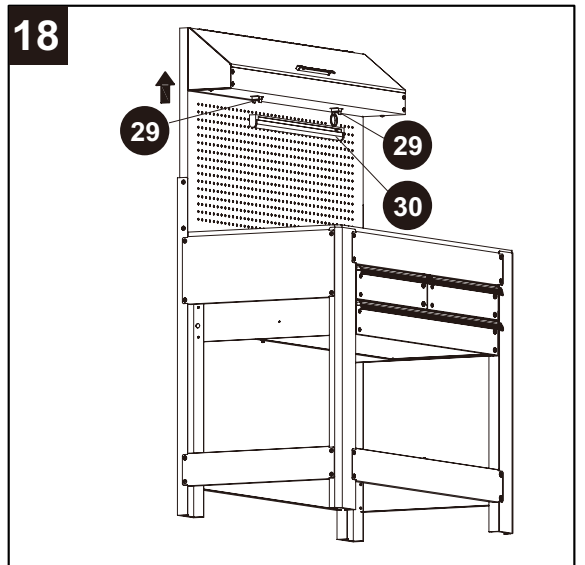
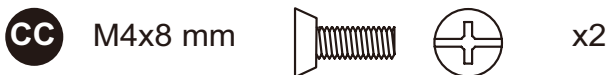
Hardware Used



Step 18

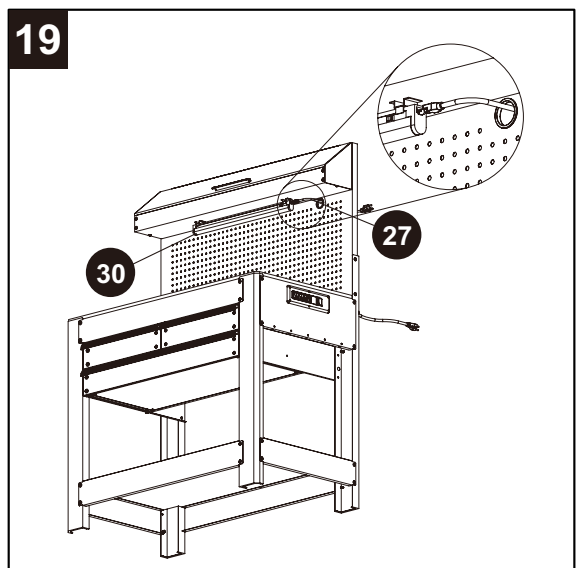
Bring the light holder (29) with 2 M4x6 mm screws on the underside of the stacking compartment.

Hardware Used



Step 19

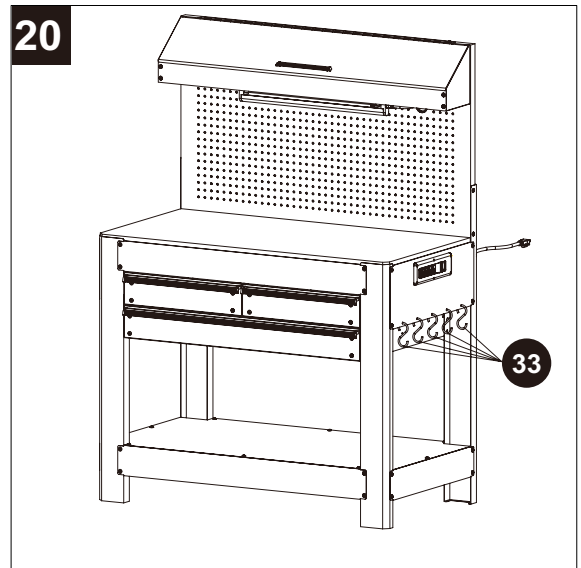
Plug the cable for the light in the light and pass the cable through the hole.



ASSEMBLY INSTRUCTIONS

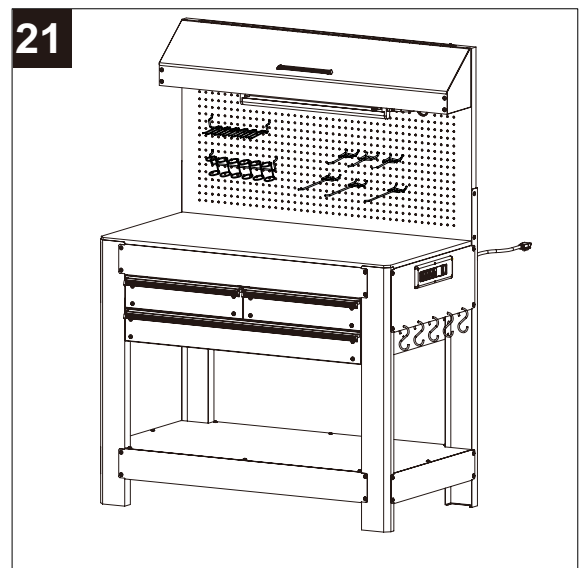
Step 20

Place the S-shaped hanging hooks on the right side wall.



Step 21

Hang the hanging hook for pliers, screwdriver, etc. to any position on the rear wall.



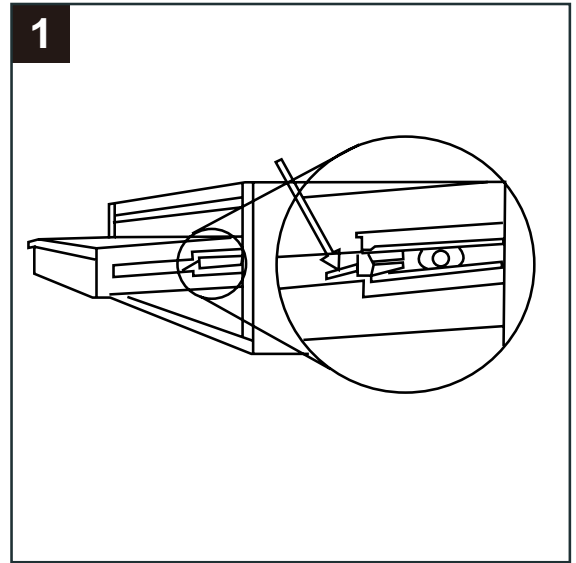
ASSEMBLY INSTRUCTIONS

Drawer removal

Pull the drawer out completely.

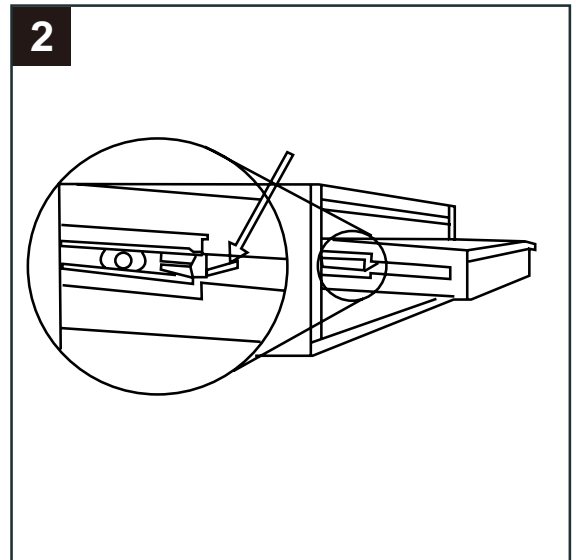
Step 1

Press the release lever on the right side.



Step 2

Pull the release lever on the left page. Now take the drawer out rail.



Replace the drawer

Pull the rails as much as possible out.

Put the drawer back into the rails.

DRAWER REPLACEMENT

Extend the drawer slides from the tool chest.

Insert the rail on each side of the drawer into the slots in the drawer slides, being careful that the drawer rail and slide stay aligned while retracting slide! Do not force them!

Once inserted, completely close the drawer to set the slides in their regular operating positions.

Care and Maintenance

Powder coated surfaces should be suitable with a lint-free cloth and a means to be cleaned.

Liquids should be quickly wiped and dried.

If you cover her workbench with a tarpaulin or similar while you are not using it remains clean.