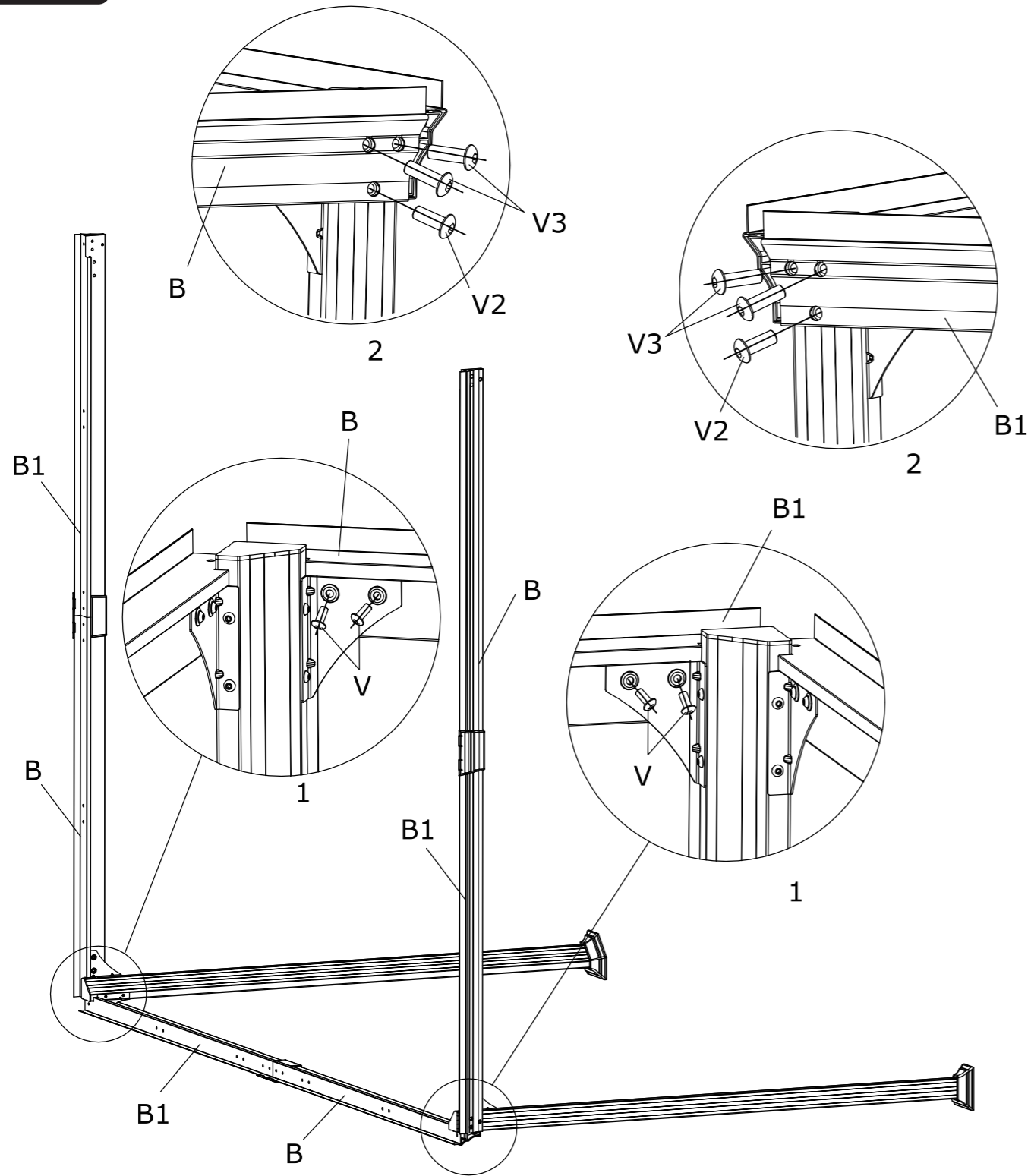
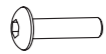
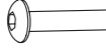

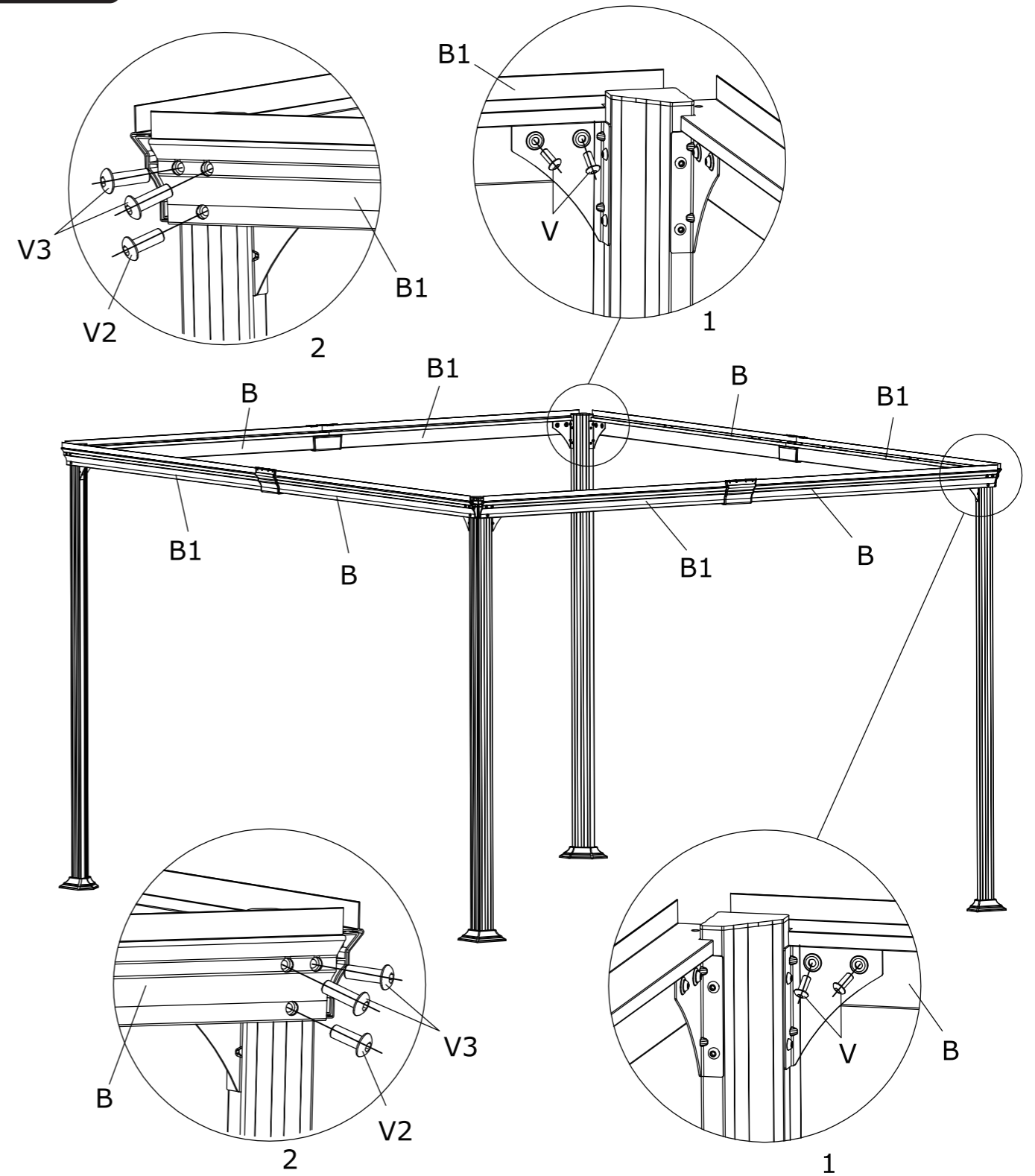



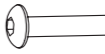
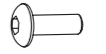
STEP 5



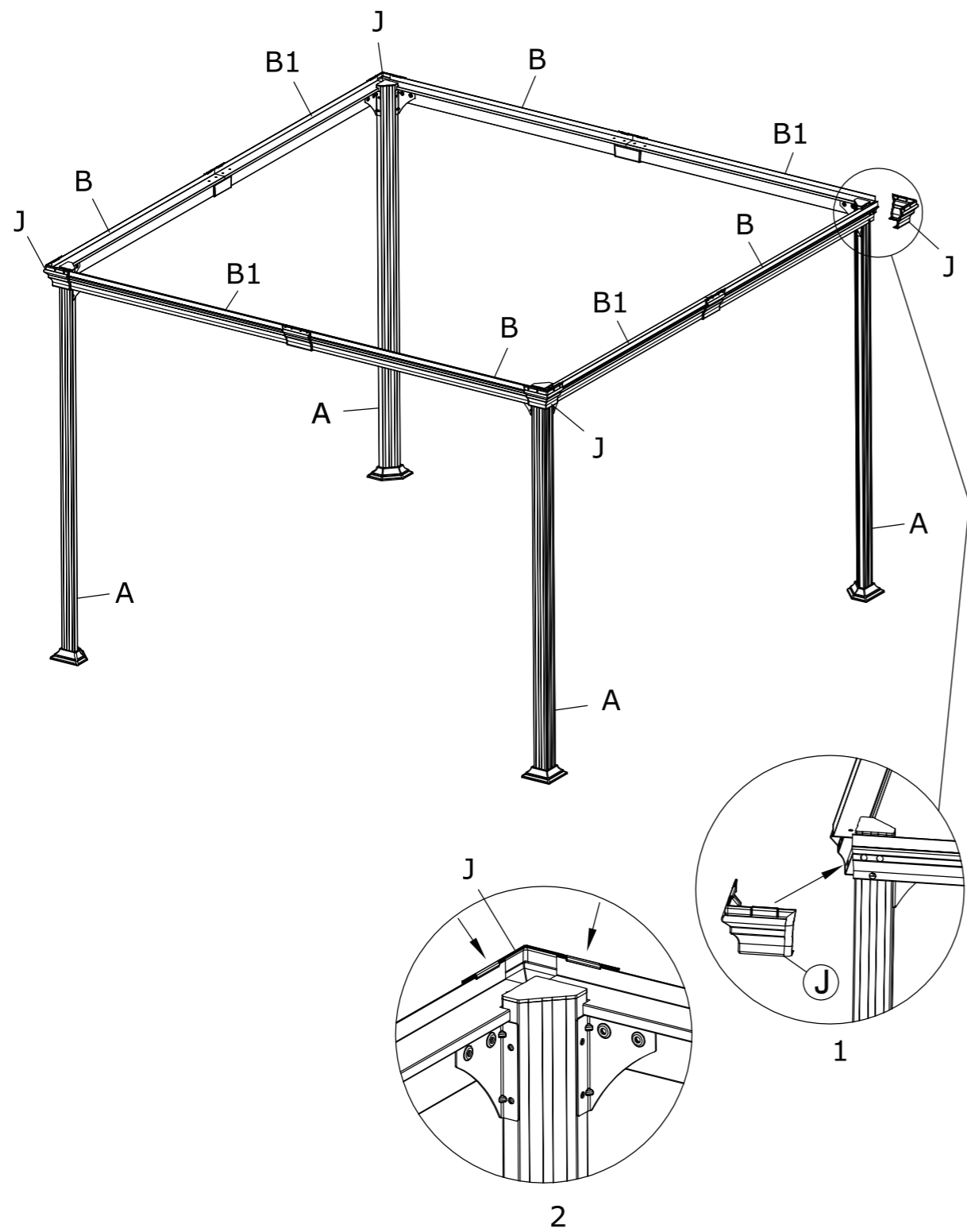
		
M6*30	M6*45	M6*15
V2 X2	V3 X4	V X4

STEP 6

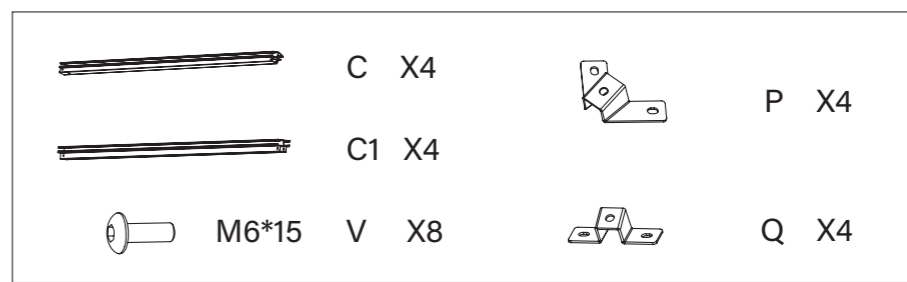
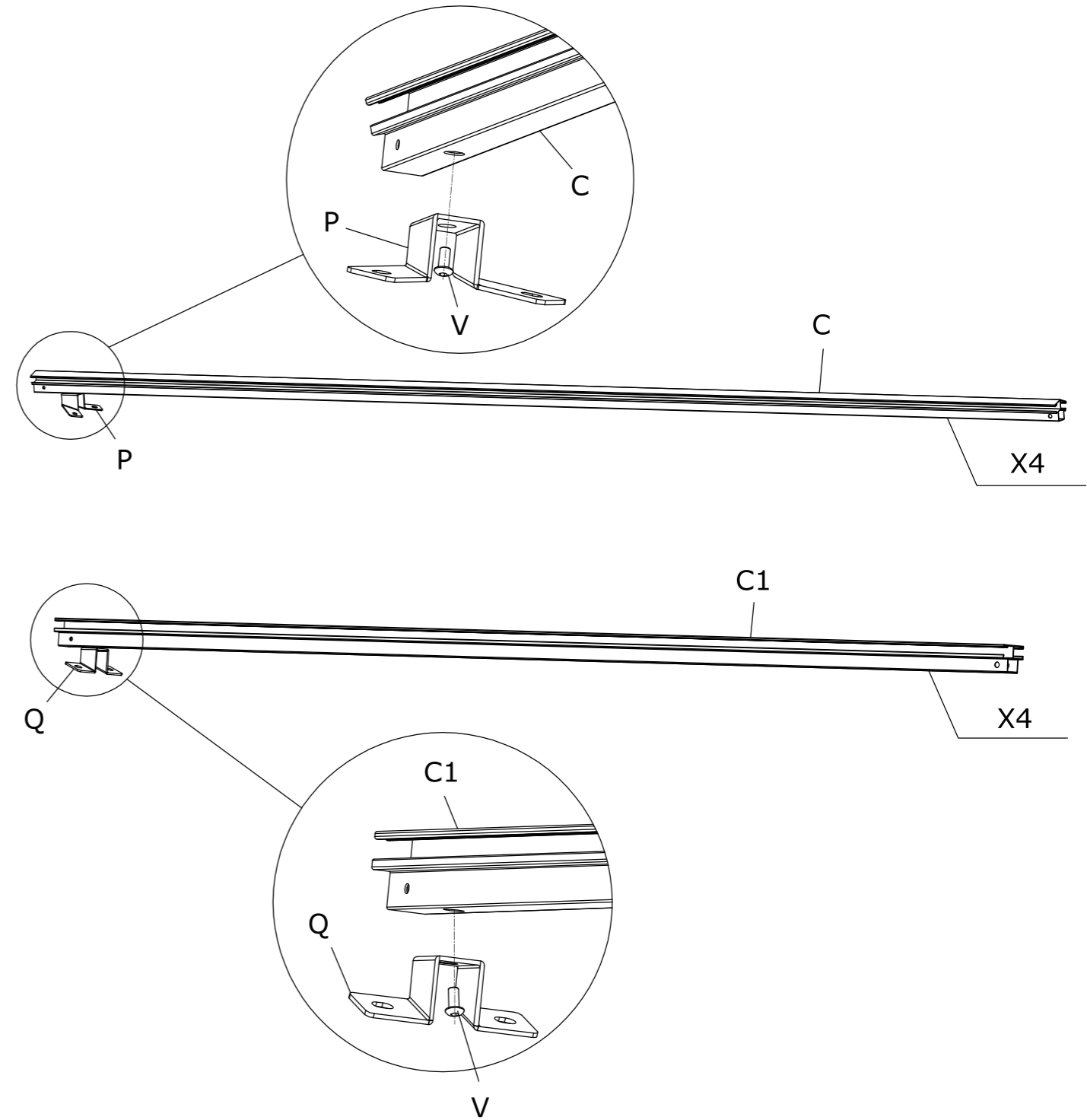


		
M6*30	M6*45	M6*15
V2 X2	V3 X4	V X4

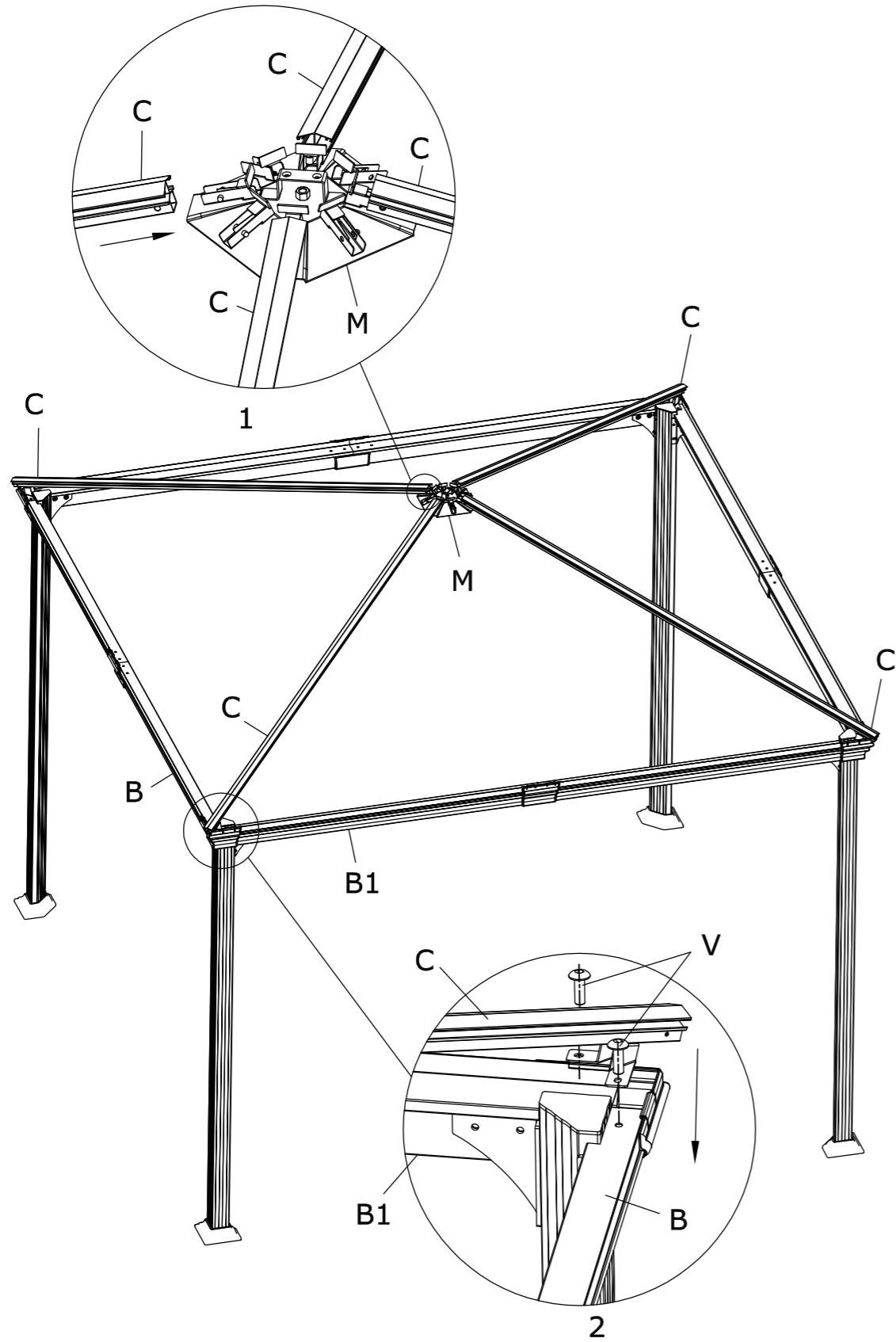
STEP 7

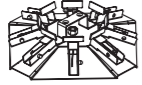
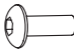


STEP 8

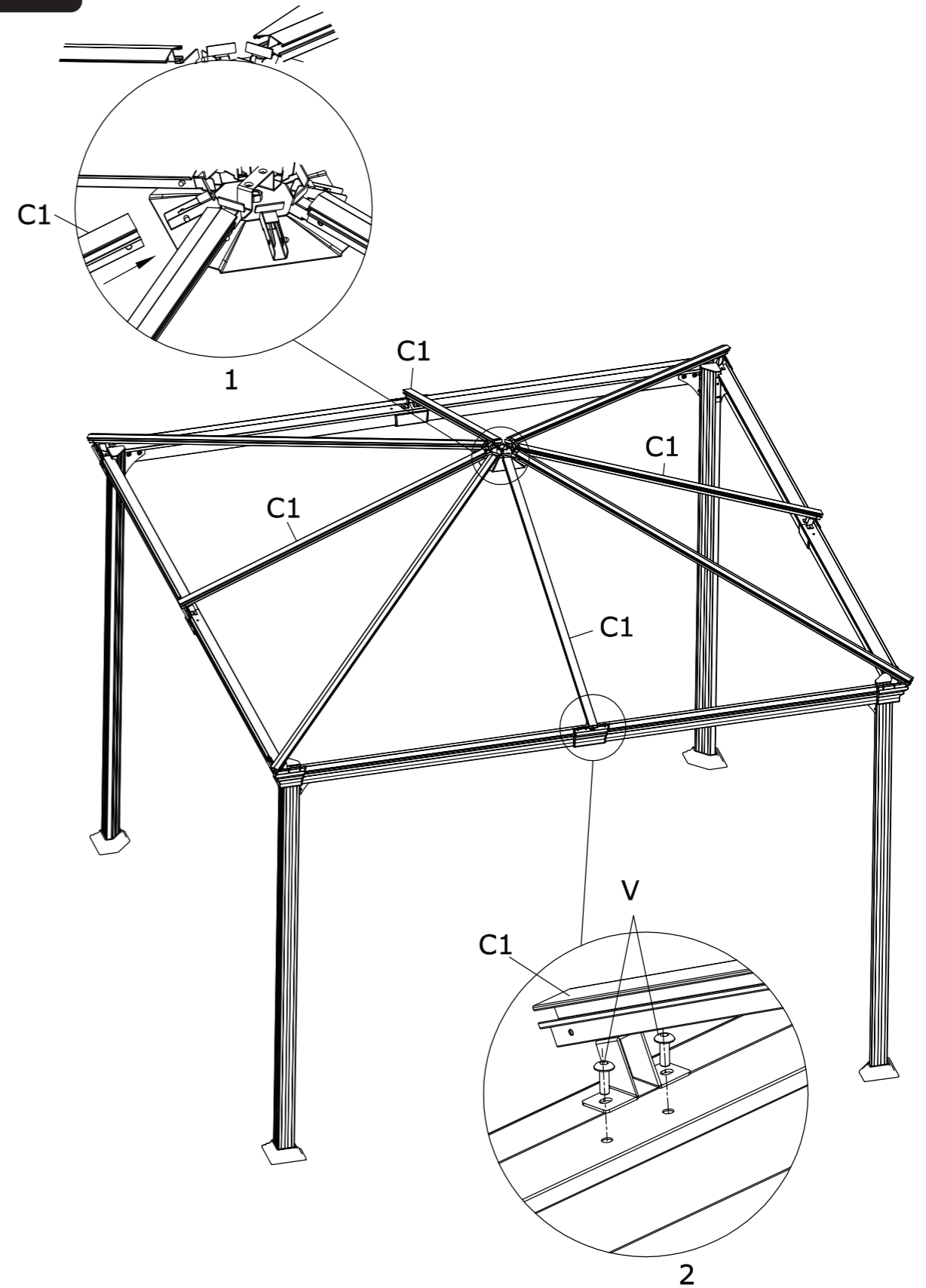



STEP 9



	M X1		M6*15 V X8
---	------	---	------------

STEP 10



	M6*15 V X8
---	------------